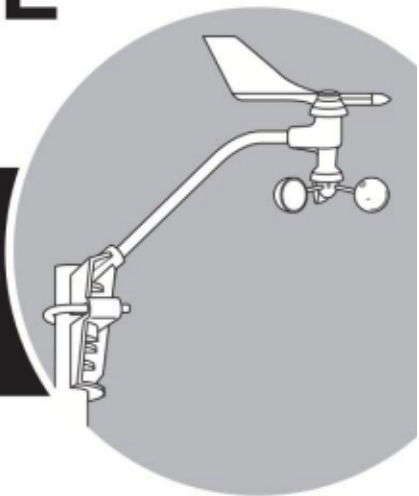


USER MANUAL

Anemometer for Vantage Pro2



Product number: 6410

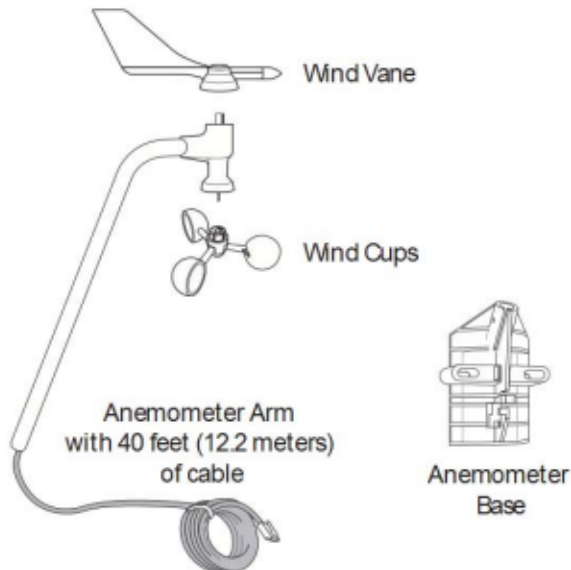
DAVIS ®

Davis Instruments, 3485 Diablo Avenue, Hayward, CA 94545-2778 U.S.A. • 510-732-9229 • www.davisnet.com

Welcome to Anemometer for Vantage Pro2 (6410)

The anemometer measures and displays wind speed and direction. The data is used to calculate other wind-related information such as wind run, wind chill, and the temperature-humidity-sun-wind index. This anemometer can be used with any Vantage Pro2-compatible system.

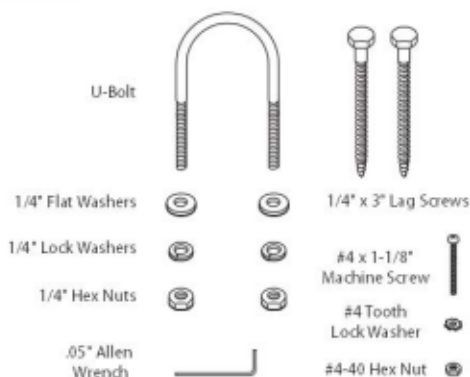
Contents of Package



The package contains the following:

- Anemometer arm with 40 feet (12.2 meters) of cable
- Wind vane
- Wind cups
- Anemometer base

Hardware Kit



Tools for Setup

- Cable Clips or Weather-Resistant Cable Ties

Note: Make sure the clips or ties you use to secure the anemometer cable have screw holes or other means for mounting the cable. Do not use metal staples to secure the cables.

- Small Screwdrivers
- Adjustable Wrench
- Hand-Held Compass or Local Area Map

Assemble the Anemometer

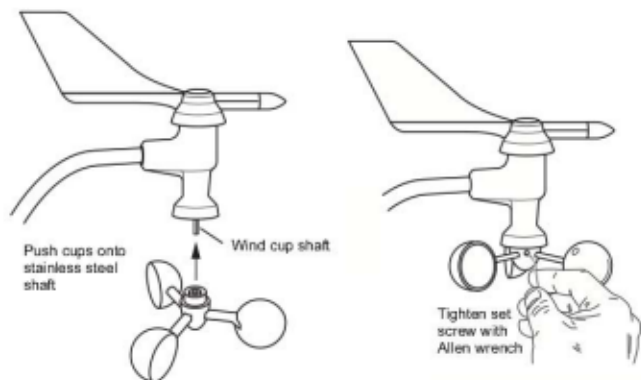
Attach the Wind Vane

The wind direction has been calibrated in the factory so that the wind direction will be correct when the arm is installed pointing north and the vane is installed correctly.

1. Slide the wind vane onto the wind vane shaft. The shaft's cross section is D-shaped to ensure that the anemometer is installed correctly.
2. Tighten the set screw in the wind vane with the Allen wrench.

Attach the Wind Cups

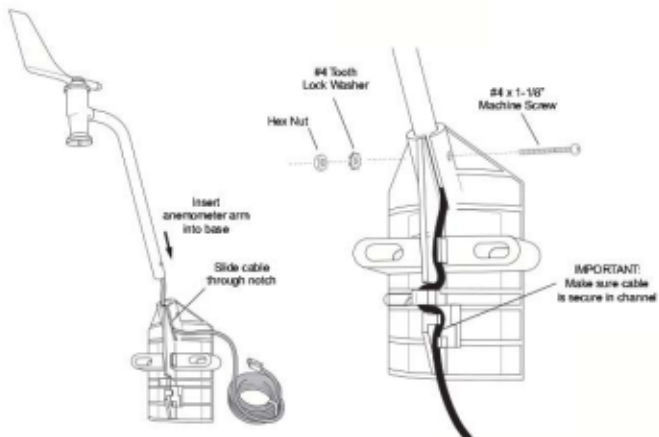
1. Push the wind cups up onto the anemometer's stainless steel wind cup shaft.
2. Slide the wind cups up the shaft as far as possible.



3. Use the Allen wrench provided to tighten the set screw on the side of the wind cups.
4. The wind cups should drop slightly when you let go.
5. Ensure that the set screw is screwed in fully and very tight. Failure to do so will cause the anemometer to function improperly.
6. Spin the wind cups.
7. If the wind cups spin freely, the anemometer is ready and can be set aside while you prepare the rest of the ISS for installation.
If the wind cups don't spin freely, take them off and repeat the wind cup installation process.

Attach the Anemometer Arm to the Base

1. Insert the anemometer arm into the base, sliding the cable through the notch in the base as shown in illustration.
2. Be sure to line up the small hole in the arm with the holes in the base.
3. Insert the machine screw through the holes in the base and arm.



4. Slide the tooth-lock washer and hex nut onto the machine screw. Tighten the hex nut while holding the screw with a Phillips head screwdriver to prevent it from turning.
5. Press the sensor cable firmly and completely into the zig-zagging channel in the base, starting from the arm and progressing downward to the bottom of the base.