



# Application Note: Monitoring Delta Rpi

## Delta Rpi Inverter Monitoring with WattmonPRO

WattmonPRO has a driver package that can automatically detect and monitor up to 5 Delta RPI inverters over Modbus RTU.

### Dashboard

The dashboard shows all relevant parameters from the Delta RPI inverter as shown below:

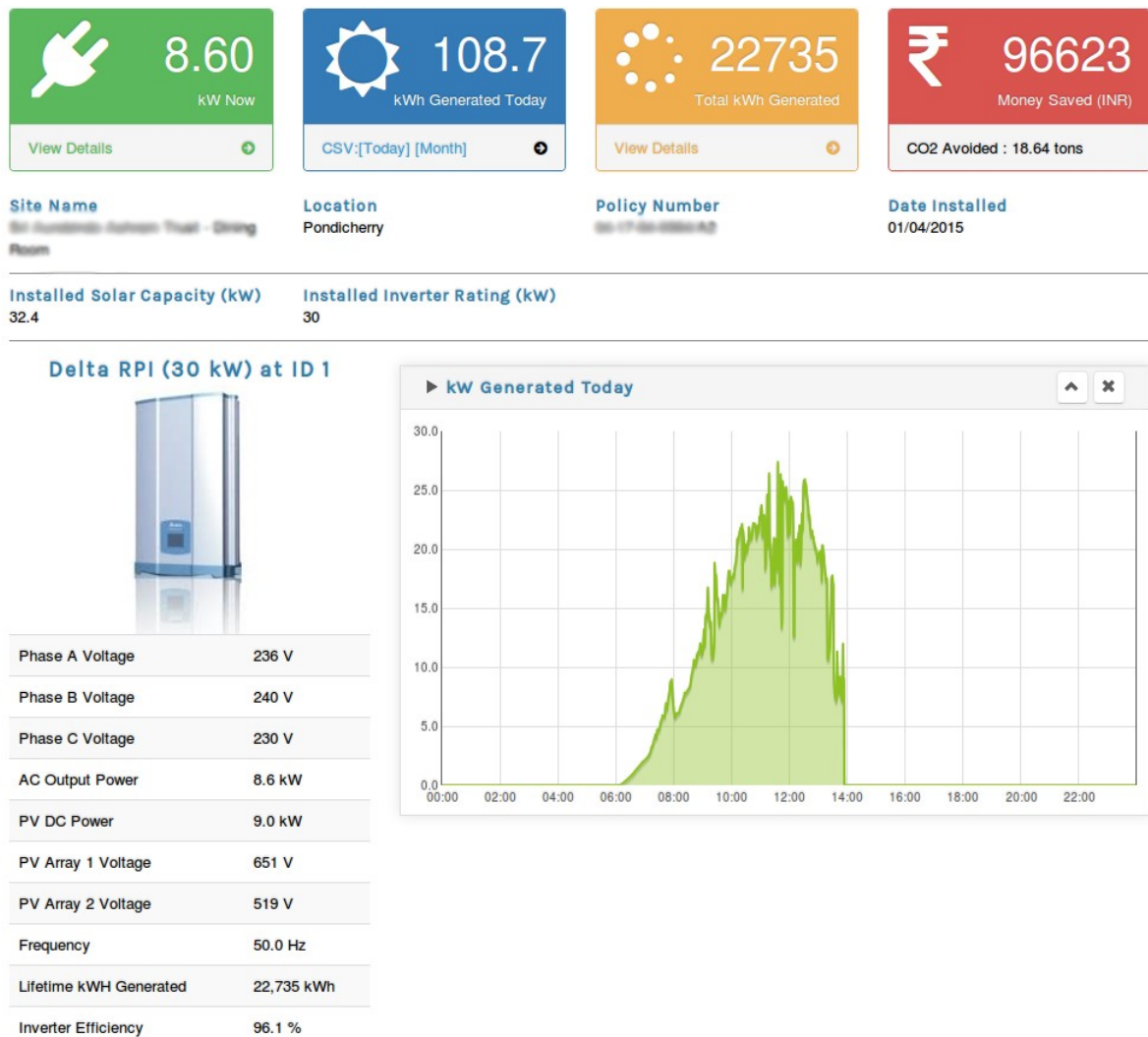


Figure 1 Wattmon Dashboard

The inverter details are shown in the left column and the lifetime generation, revenue saved and current production are all shown along the top of the window.



# Application Note: Monitoring Delta Rpi

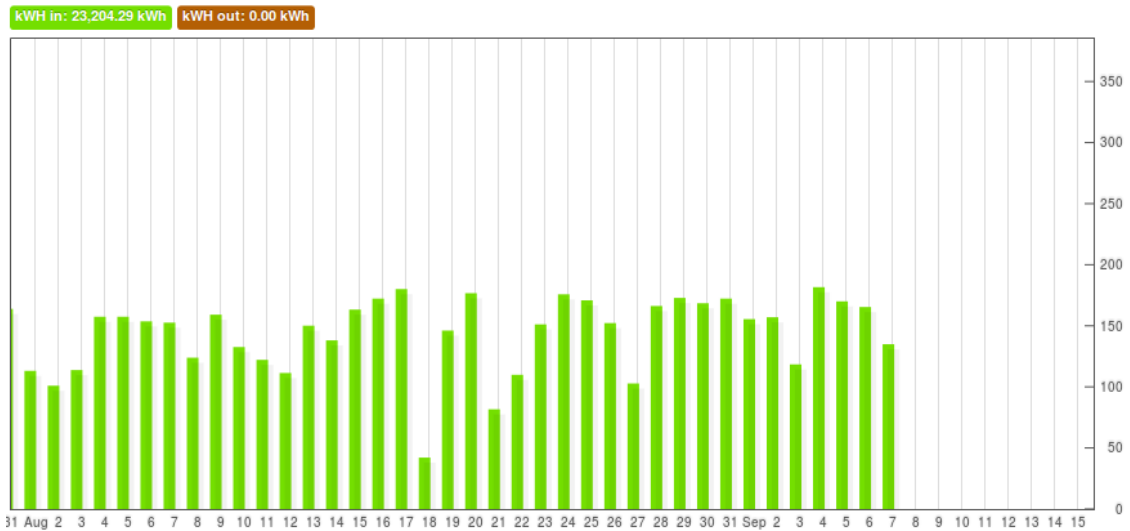


Figure 2 Daily kWh totals

You can get detailed graphs about the energy generated for a given period using the above graph also directly on the Wattmon.

## Consolidated Monitoring on the Portal

Wattmon can also export data on a 5-minute basis to our hosted portal site, [my.wattmon.com](http://my.wattmon.com). Here you can see all your systems at a glance and view the data online as shown below. This is a subscription based service with a fixed rate per device per year.

Grid Tie Inverter Overview								
ID	Name	Zone	kWh Today	kW Now	Voltage	Frequency	Status	Options
04-17-26-960A1	Ashram Library	Pondicherry	107.88	14.12	243.30 / 239 / 231.50	49.95	Active	View
04-17-26-960A2	Ashram Dining Room	Pondicherry	109.59	14.271	236.30 / 238.70 / 232.30	49.91	Active	View
04-17-26-960A1	Ashram Delafon	Pondicherry	102.46	8.006	230.50 / 238.70 / 234.80	49.98	Active	View
04-17-26-960A1	Ashram School	Pondicherry	113.47	9.037	242.70 / 246.50 / 246.60	49.99	Active	View
04-17-26-960A1	CUAF Chairman House	Odissa	3.78	1.871	236.10 / 229.60 / 234.20	49.99	Active	View
04-17-26-960A1	CUAF Odisha	Odissa	10.54	1.633	220.20 / 206.90 / 226.20	49.91	Active	View
04-17-26-960A1	Arund Mathura (Chennai)	Tamil Nadu	19.33	7.975	231.60 / 231 / 229.80	50	Active	View
04-17-26-960A1	Public Health Care	Odissa	29.86	0.3	228 / 223.20 / 228.20	49.92	Last access 11m ago	View

Figure 3: [my.wattmon.com](http://my.wattmon.com) portal with overview of devices.



# Application Note: Monitoring Delta Rpi

## Connecting Wattmon

The RJ45 Modbus port at the base is used to connect to the inverter.

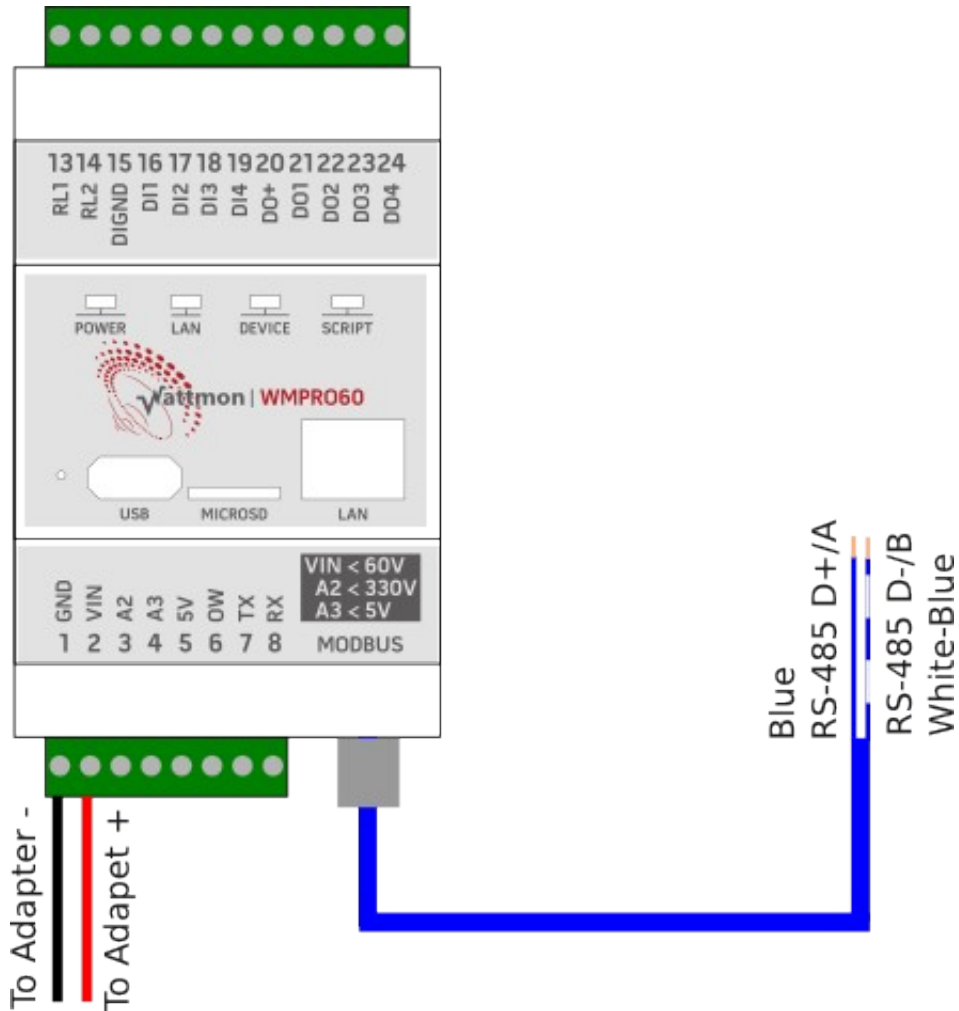


Figure 4: Connection diagram for inverter monitoring

For more details, please visit <http://www.wattmon.com>